

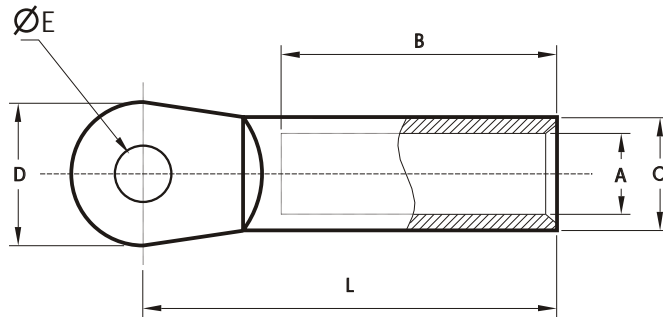
COMPRESSION CABLE LUGS - ALUMINIUM

STANDARD : DIN 46329

MATERIAL : ELECTROLYTIC GRADE AL 99.5

FINISH : BRIGHT OR ELECTRO TINNED

FEATURES : BARREL PREFILLED WITH OXIDE INHIBITING COMPOUND & CAPPED AT THE END



CABLE mm ²	ØE	CAT. NO.	DIMENSIONS IN mm					PER BOX
			A	C	D	B	L	
25	8.2	SADL25-8	6.8	12	20	30	50	150
	10.5	SADL25-10			25			
	13	SADL25-12						
35	8.2	SADL35-8	8	14	25	42	62	75
	10.5	SADL35-10						
	13	SADL35-12						
50	8.2	SADL50-8	9.8	16	25	42	62	75
	10.5	SADL50-10						
	13	SADL50-12						
70	8.2	SADL70-8	11.2	19	25	52	72	50
	10.5	SADL70-10						
	13	SADL70-12						
95	10.5	SADL95-10	13.2	22	25	56	75	30
	13	SADL95-12						
	17	SADL95-16						
120	10.5	SADL120-10	14.7	23	30	56	80	30
	13	SADL120-12						
	17	SADL120-16						
150	10.5	SADL150-10	16.3	25	30	60	90	20
	13	SADL150-12						
	17	SADL150-16						
	21	SADL150-20						
185	10.5	SADL185-10	18.3	28.5	30	60	91	10
	13	SADL185-12						
	17	SADL185-16						
	21	SADL185-20						
240	10.5	SADL240-10	21	30	38	70	103	10
	13	SADL240-12						
	17	SADL240-16						
	21	SADL240-20						
300	13	SADL300-12	23.3	34	38	70	103	5
	17	SADL300-16						
	21	SADL300-20						
400	13	SADL400-12	26	38	38	73	116	5
	17	SADL400-16						
	21	SADL400-20						
500	13	SADL500-12	29	42	44	79	122	5
	17	SADL500-16						
	21	SADL500-20						

