

A1/A2 Industrial Cable Gland

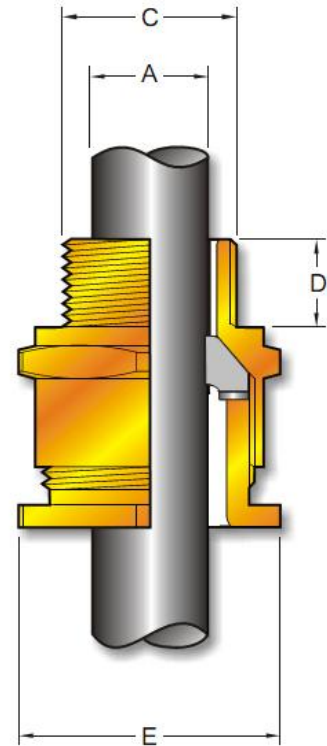
Brass indoor and outdoor cable gland suitable for all types of unarmoured cables, plastic or rubber sheathed cables

This gland provides seal on outer sheath.



TECHNICAL DATA

Type	A1/A2
Design Specification	BS 6121 : Part I : 1989
Ingress protection	IP66
Gland Material	Brass
Finish	Plain Brass or Nickel Plated
Seal Material	Thermoplastic Elastomer
Cable Type	Unarmoured
Sealing Technique	Displacement Type
Sealing Area	Outer Sheath



Gland Size	Metric Entry Thread 'C'	Minimum Thread Length 'D'	Overall Diameter 'A'		Across Corners Dia 'E' Max	Cat #
			Min	Max		
16	16	15	3.5	8.5	24.4	SAG-16-16
20SS	20	15	3.5	8.5	24.4	SAG-20SS
20S	20	15	8.0	11.5	26.5	SAG-20S
20L	20	15	11.0	13.5	26.5	SAG-20L
25S	25	15	13.0	16.5	39.9	SAG-25S
25L	25	15	13.0	19.5	39.9	SAG-25L
32	32	15	19.0	25.5	45.5	SAG-32
40L	40	15	25.0	32.0	55.4	SAG-40L
50S	50	15	31.5	37.0	61.0	SAG-50S
50L	50	15	36.5	43.0	66.5	SAG-50L
63S	63	15	42.5	50.0	77.6	SAG-63S
63L	63	15	49.5	55.0	83.2	SAG-63L
75S	75	15	54.5	61.0	88.7	SAG-75S
75L	75	15	60.5	67.0	94.2	SAG-75L
90	90	20	65.0	78.0	120.7	SAG-90
100	100	20	75.0	88.0	132.0	SAG-100

Dimensions in Millimeters

Note : For Flameproof add suffix "F" to cat #

