



BWL Heavy Duty Industrial Cable Gland

Brass indoor gland suitable for single wire armoured, plastic or rubber sheathed cable.

Lockring provided for additional grip to the armour.

Recommended to use with shroud for additional ingress protection.

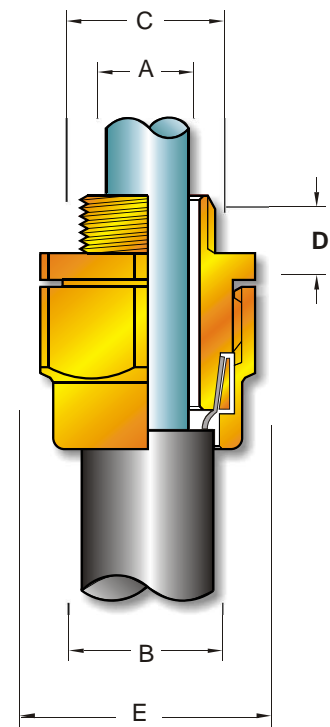
Earth tag to be use for earth continuity.

BW glands are also supplied with integral earth facilities.



TECHNICAL DATA

Type	BWL
Design Specification	BS 6121 : Part I : 1989
Ingress Protection	IP3X
Gland Material	Brass
Finish	Plain Brass or Nickel Plated
Cable Type	Steel Wire Armour
Armour Clamping	Three Part Armour Lock



Gland Size	Metric Entry Thread 'C'	Minimum Thread Length 'D'	Under Armour Dia 'A' Max	Overall Dia 'B' Max	Armour Wire Dia	Across Corner Dia 'E' Max	Cat #
16	16	10	6.0	13.2	0.9	24.4	SBWL-16
20S	20	10	11.6	15.8	0.9/1.25	26.0	SBWL-20S
20L	20	10	13.9	21.0	0.9/1.25	27.6	SBWL-20L
25S	25	10	17.8	23.8	1.25/1.60	34.3	SBWL-25S
25L	25	10	19.9	27.2	1.25/1.60	38.1	SBWL-25L
32	32	10	26.2	33.5	1.60/2.0	45.4	SBWL-32
40S	40	10	29.4	38.5	1.60/2.0	50.2	SBWL-40S
40L	40	15	32.1	39.9	1.60/2.0	53.8	SBWL-40L
50S	50	15	38.1	46.3	2.0/2.25	64.8	SBWL-50S
50L	50	15	44.0	52.6	2.0/2.25	69.8	SBWL-50L
63S	63	15	50.0	59.0	2.5	78.2	SBWL-63S
63L	63	15	55.9	65.3	2.5	84.6	SBWL-63L
75S	75	15	61.9	71.6	2.5	95.0	SBWL-75S
75L	75	15	67.9	78.0	2.5	101.0	SBWL-75L
90	90	15	79.3	90.4	3.15	115.9	SBWL-90

Dimensions in Millimeters

